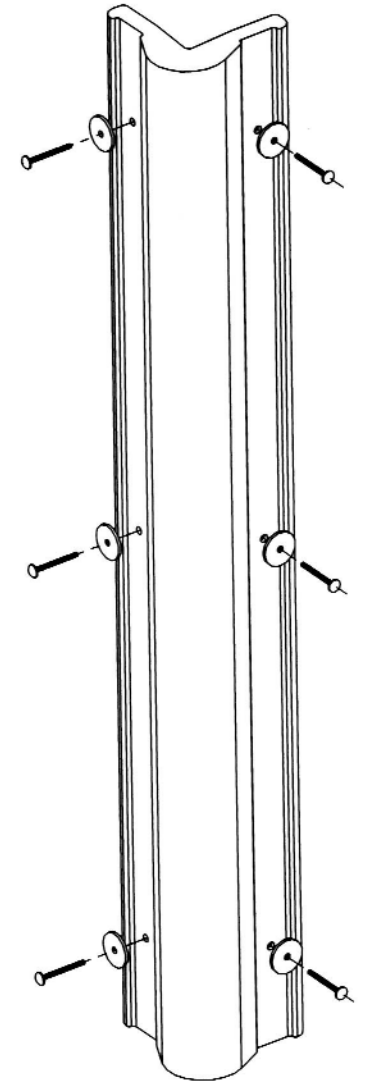
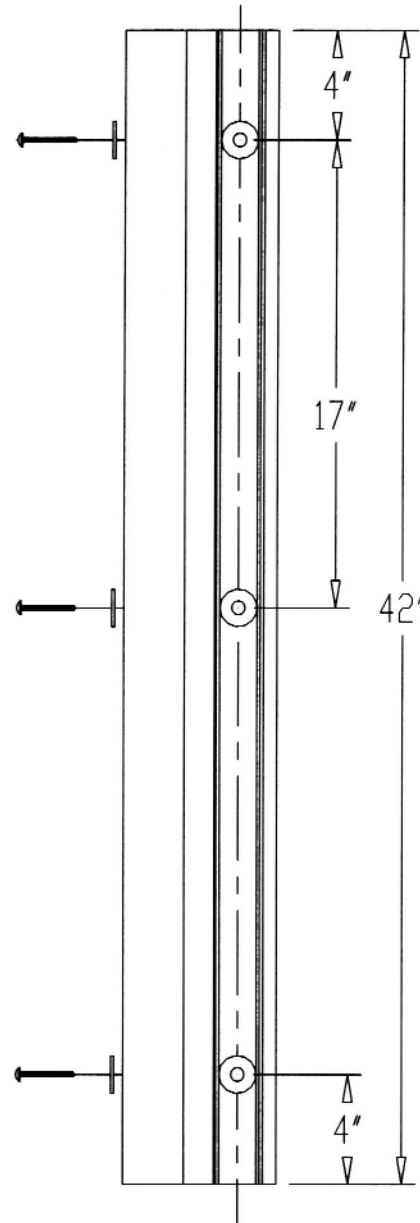
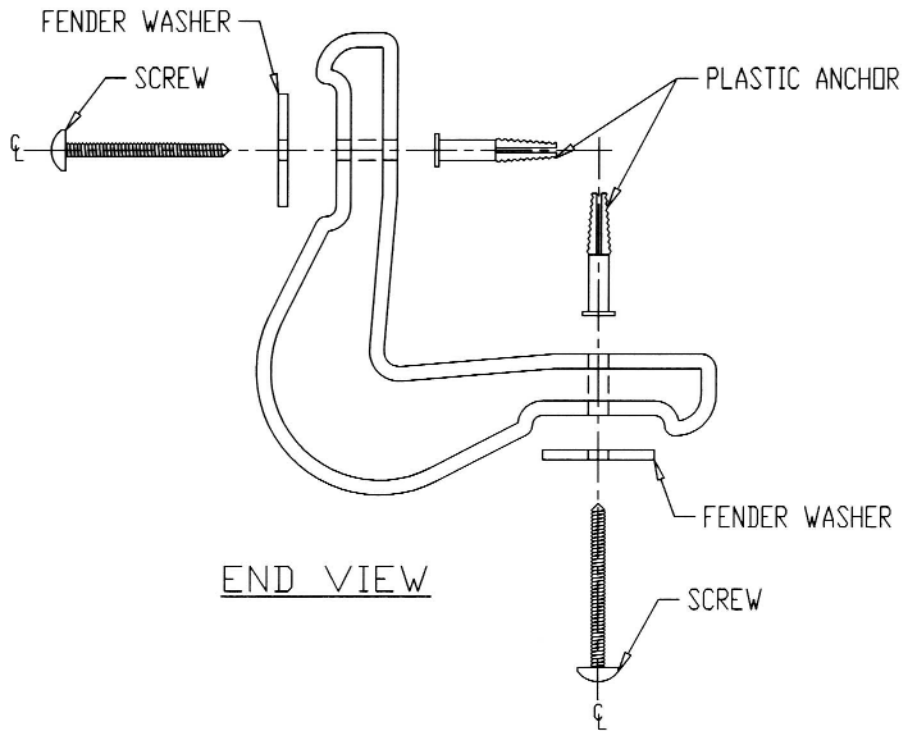


# Ultra-Corner Protector

## Installation Instructions



### NOTES:

Drill 5/16" hole and use anchors if masonry wall. Drill 5/32" hole if wooden wall or stud behind drywall. Drill 5/32" hole if metal wall.

